

Condensation Sensor

Condensation sensor with LED signal. Designed to provide a switched output signal to prevent condensation on chilled surfaces such as chilled beams. Also applicable for series connection to cold water valve. NEMA 4X / IP65 rated enclosure.


Type Overview

Type	Output Signal Condensation Detector Switch	Additional Features	Cable Length
22HH-100X	Changeover	External sensor	2 m

Technical Data

Electrical data	Power Supply DC	15...24 V, ±10%, 0.8 W
	Power Supply AC	24 V, ±10%, 1.6 VA
	Electrical connection	Removable spring loaded terminal block max. 2.5 mm ²
	Cable entry	Cable gland PG11 Ø6...10 mm, with strain relief Ø6...8 mm
Functional data	Output signal switch note	changeover contact, isolated; max. 24 V / 1.0 A (resistive)
	Display	LED, Green - power supply OK Red - dew permeation
	Media	Water
Measuring data	Measured values	Relative humidity
Materials	Cable gland	PA6, black
	Housing	Cover: Lexan, Belimo orange NCS S0580-Y6OR Bottom: Lexan, Belimo orange NCS S0580-Y6OR Seal: 0467 NBR70, black

Safety data	Ambient humidity	85% r.H., non-condensing
	Ambient temperature	-20...50 °C [-5...120 °F]
	Medium temperature	-20...60 °C [-5...140 °F]
	Protection class IEC/EN	III Protective extra-low voltage (PELV)
	Protection class UL	UL Class 2 Supply
	EU Conformity	CE Marking
	Certification IEC/EN	IEC/EN 60730-1
	Certification UL	cULus acc. to UL60730-1A/-2-9/-2-13, CAN/CSA E60730-1:02/-2-9, CE acc. to 2004/108/EC and 2006/95/EC, NEMA 4X, IP65, UL Enclosure Type 4X
	Degree of protection IEC/EN	IP65
	Degree of protection NEMA/UL	NEMA 4X
	Quality Standard	ISO 9001
	Weight	0.18 lbs

Safety notes


The installation and assembly of electrical equipment should only be performed by authorized personnel.

This device has been designed for use in stationary heating, ventilation and air conditioning systems and must not be used outside the specified field of application. Unauthorised modifications are prohibited. The product must not be used in relation with any equipment that in case of a failure may threaten human, animals or assets.

Ensure all power is disconnected before installing. Do not connect to live/operating equipment.

Please comply with

- Local laws, health & safety regulations, technical standards and regulations
- Condition of the device at the time of installation, to ensure safe installation
- This data sheet and installation manual

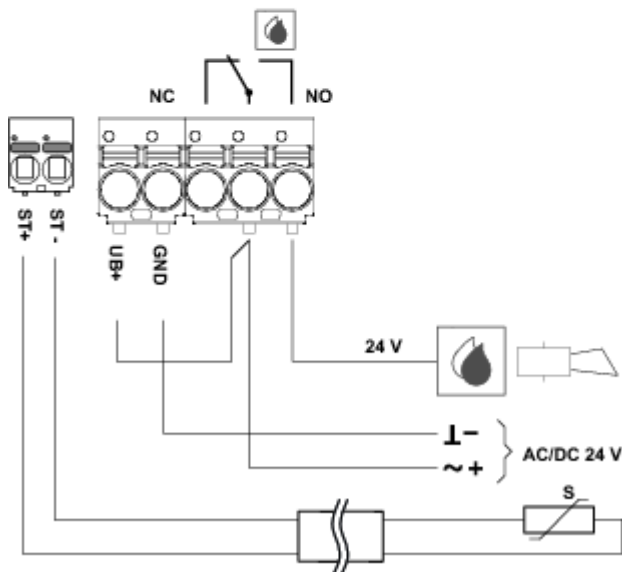
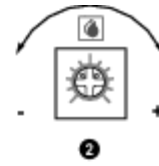
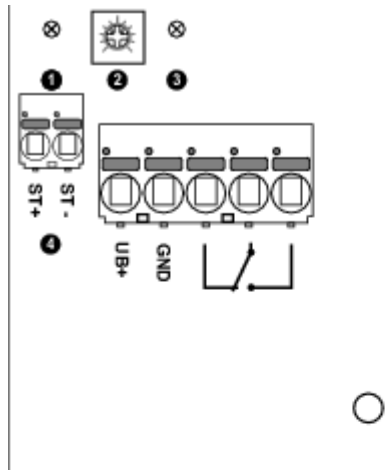
Remarks

General remarks concerning sensors Sensing devices with a transducer should always be operated in the middle of the measuring range to avoid deviations at the measuring end points. The ambient temperature of the transducer electronics should be kept constant. The transducers must be operated at a constant supply voltage (± 0.2 V). When switching the supply voltage on/off, onsite power surges must be avoided.

Accessories

Scope of delivery	Mounting plate	
Optional Accessories	Description	Type
	Syringe thermal contact fluid	A-22P-A44

Wiring diagram



- ① LED red: dew permeation
- ② Sensitivity adjustment
- less sensible
+ more sensible
- ③ LED green: power supply OK
- ④ For external condensation sensor

Dimensions

