

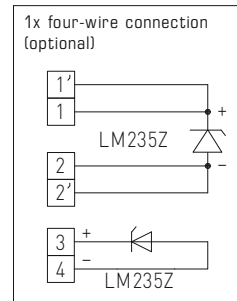
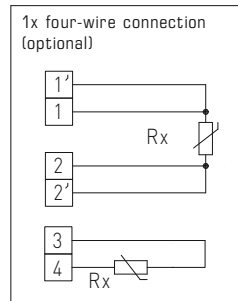
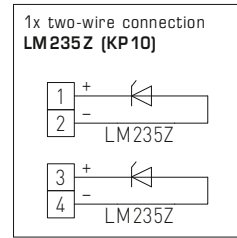
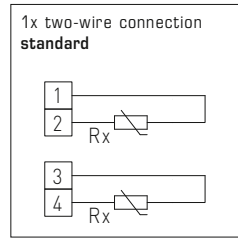
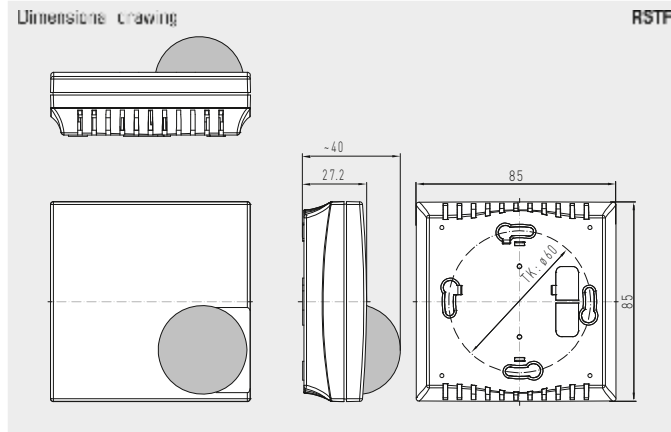


Resistance thermometer **THERMASGARD® RSTF** with passive output in an elegant enclosure made of plastic, with snap-on lid, base with 4-hole attachment for installation on vertically or horizontally installed in-wall flush boxes, with predetermined breaking point for on-wall cable entry, specifically used for temperature detection in larger rooms. The room radiation temperature sensor RSTF determines the effective portion of active radiation or the effective radiant heat at the measured location. Due to the measuring method employed by the dark radiation temperature sensor, an excellent and room-representative measuring result is achieved. In addition there is an independent passive output available to determinate the reference temperature.

RSTF



TECHNICAL DATA	
Measuring range:	-30...+75 °C
Sensors / output:	see table, passive (optional also with two sensors)
Connection type:	2-wire connection (4-wire connection on PT100/PT1000A, optional on other sensors)
Testing current:	< 0.6 mA (Pt1000) < 1.0 mA (Pt100) < 0.3 mA (Ni1000, Ni1000 TK5000) < 2.0 mW (NTC xx) 400 µA...5 mA (LM235Z)
Insulating resistance:	≥ 100 MΩ, at +20 °C (500 V DC)
Process connection:	by screws
Enclosure:	plastic, material ABS Enclosure: pure white (similar to RAL 9010), Semi-globe: black
Dimensions:	85 x 85 x 27 (40) mm (Baldur 1)
Electrical connection:	0.14 - 1.5 mm <sup>2</sup> , via terminal screws
Humidity:	< 95 % r. H.
Protection class:	III (according to EN 60 730)
Protection type:	IP 30 (according to EN 60 529)



THERMASGARD® RSTF Room radiation temperature sensors		
Type / WG03	Sensor / Output	Item No.
<b>RSTF</b>	<b>Pt, Ni, LM235Z</b>	<b>IP30</b>
RSTF PT100	Pt100 (according to DIN EN 60 751, B)	1101-40C0-1003-000
RSTF PT1000	Pt1000 (according to DIN EN 60 751, class B)	1101-40C0-5001-000
RSTF Ni1000	Ni1000 (according to DIN EN 43 760, class B, TCR = 6180 ppm / K)	1101-40C0-9001-000
RSTF NITK	Ni1000 TK5000 (TCR = 5000 ppm / K), LG-Ni1000	1101-40C1-0001-000
RSTF LM235Z	LM235Z (TCR = 10 mV / K; 2.73 V at 0 °C), KP10	1101-40C2-1001-000
<b>RSTF</b>	<b>NTC</b>	<b>IP30</b>
RSTF NTC1,8K	NTC 1.8K	1101-40C1-2001-000
RSTF NTC10K	NTC 10K	1101-40C1-5001-000
RSTF PRECON	NTC 10K Precon	1101-40C1-9001-000
RSTF NTC20K	NTC 20K	1101-40C1-6001-000